

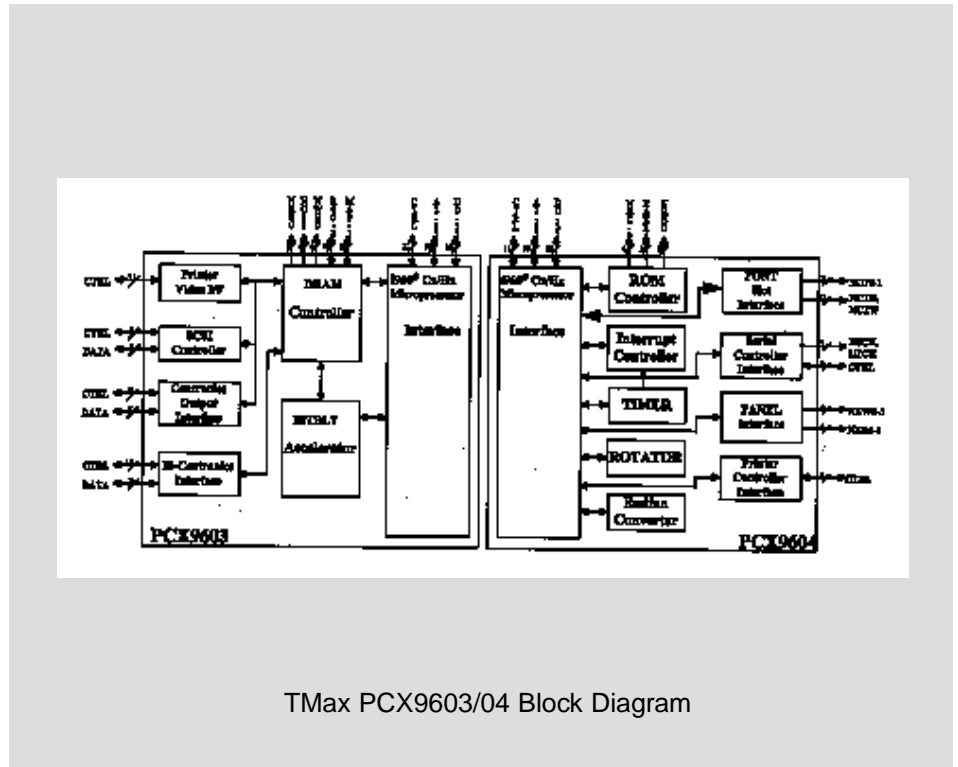
TMax* PCX9603/9604 Printer Controller Chip Set



- High-Speed DRAM Controller
- ROM/EPROM Controller
- CPU Bus Independent High-Speed DMA Data Paths For Efficient Data Transfer
- Supports Every Necessary Peripheral Interface For the Printer
- Integrated Interrupt Controller and Interval Timer Support For Real-Time Multitasking OS
- Supports PostScript* and PCL 5e* Imaging Models

The TMax printer controller chips support color page printers and monochrome printers. All major printer controller functions are integrated, enabling quick development of high performance printers. When TMax chips are used, only the CPU, ROM, RAM and buffers are needed to create a controller. Direct connectivity to color and monochrome laser, thermal wax transfer, and dye sublimation printers is supported. Direct control of the 53C90 SCSI chip enables low-cost interface to dye sublimation printers.

A low-cost, high-performance printer controller is quickly developed by using the TMax printer controller chips with the TMax OS, Adobe PostScript* Level 2, and TMax EM5e emulation software.



TMax PCX9603/04 Block Diagram

PROCESSORS SUPPORTED:
 PCX9603/9604 Chip Set: Complete Family of i960® CA/CF/HA/HD/HT Processors (25/33 MHz).
 PSX9601 Chip: i960 SA/SB Processors (10/16 MHz).

AVAILABILITY:
 Now

CONTACT:
 Topmax Corporation
 1921 S. Alma School Road, Suite 313
 Mesa, AZ 85210
 Phone: (602) 730-2530
 FAX: (602) 730-2550
 e-mail: topmax@attmail.com
 topmax_sales@topmax.com
 For international contacts see Appendix B.